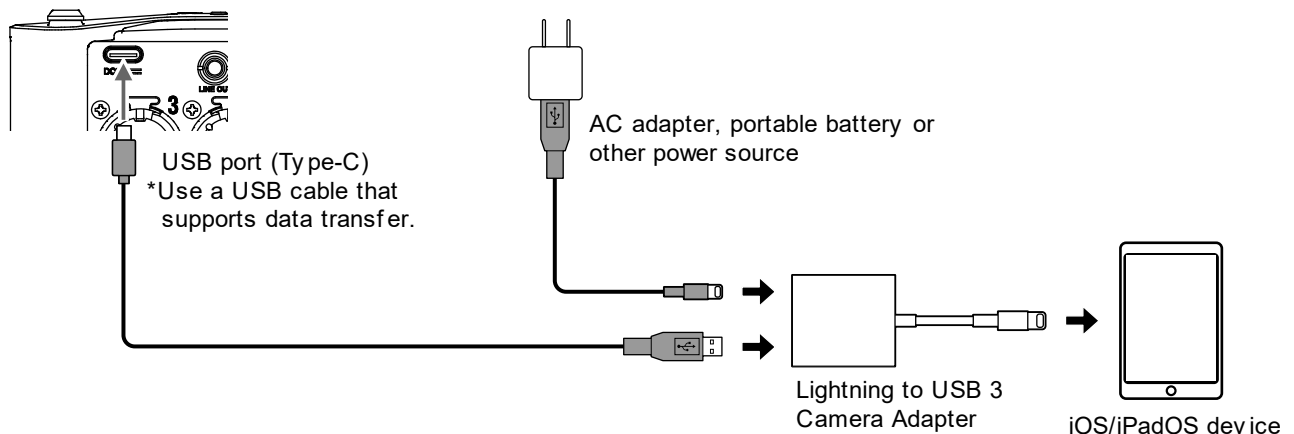


## Enabling the F6 audio interface function with iOS/iPadOS devices if it does not work

June 2022

When an F6 is connected to an iOS/iPadOS device, the audio interface function might not work. Connect using a Lightning to USB 3 Camera Adapter and provide power through that adapter (using an AC adapter or portable battery, for example) to enable operation.



Copying or reprinting this document in part or in whole without permission is prohibited.

iOS is a trademark or registered trademark of Cisco Systems, Inc. in the USA and other countries and is used under license.

iPadOS is a trademark or registered trademark of Apple Inc.

Note: All trademarks and registered trademarks in this document are for identification purposes only and are not intended to infringe on the copyrights of their respective owners.